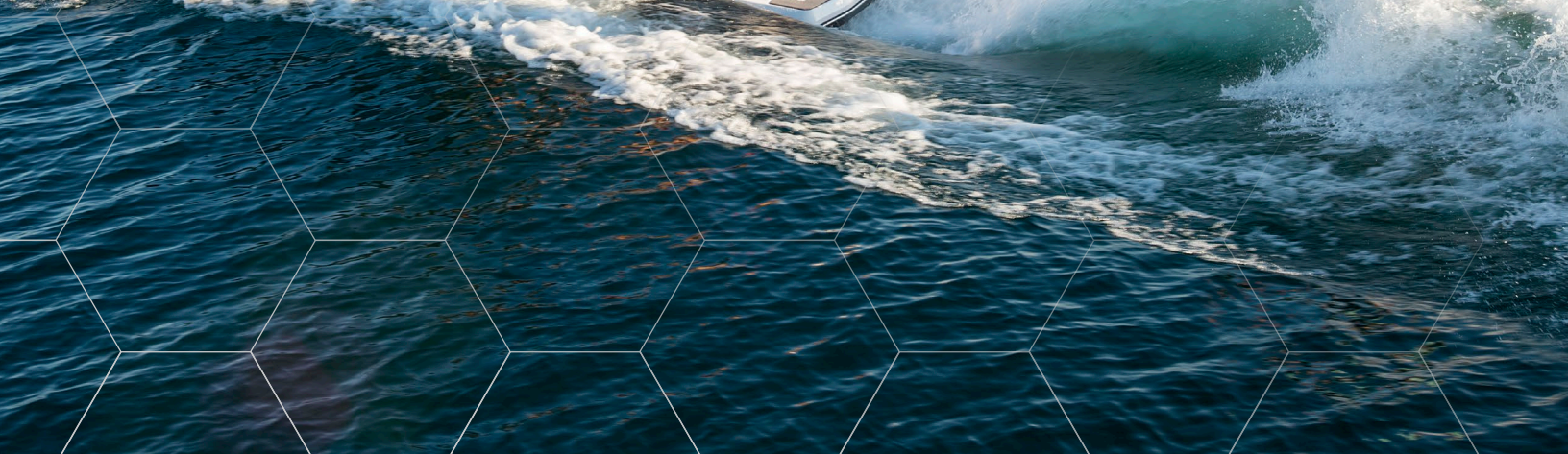


2017

SCARAB JET BOATS



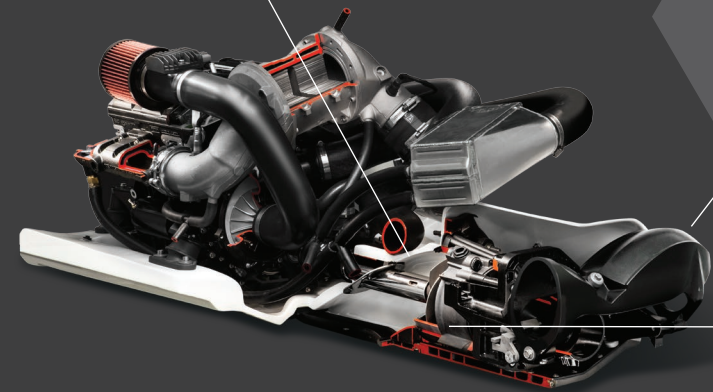
Experience the unmatched performance of Rotax® Jet Power.

Weed and rope guard makes your day hassle-free. Our cutting-edge shaft guard prevents weeds or tow ropes from wrapping around the drive shaft. No need to clean out the ports that you find on other boats.

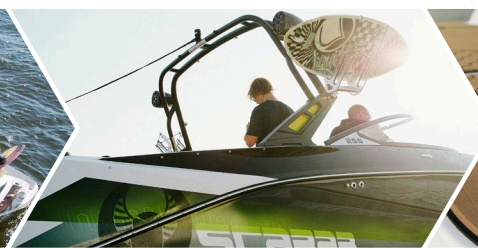
Lateral Thrust Control delivers quicker reverse. Unlike other boats, which feature a small, plastic reverse gate, our aluminum reverse gate offers unmatched low-speed maneuverability to make docking a breeze.

Run cooler and cleaner for longer life and better performance. Closed-loop cooling keeps external water and dirt out of the engine for longer life.

iST (Intelligent Shift and Throttle)
A game changing feature for jet propulsion. More than just electronic actuation of the reverse gates, the iST system allows you to adjust your boat's neutral speed on-the-fly greatly increasing low-speed maneuverability.



ROTAX



Add a soft and stylish swim platform mat for extra grip and comfort.

Board ready: sleek tower, ski tow, and sexy Scarab graphics complete the look.

Plenty of board storage to stow everyone's favorite toys lets the whole crew get involved in the fun.

Interior and underwater lighting emit an impressive show on the lake.

WAKE
EDITION

The WAKE Edition option can be added to any Scarab Impulse 195, 215, or 255. Everything you need to turn your Scarab into a full fledged wake machine.

Color matched Wake Edition graphic
Wake Blast ballast system
Digital speed control
Fixed board racks



With a Touch Screen Command Center, taking control of your ride is only a tap away.



The cockpit Marine mat with Scarab graphic doesn't mind getting a little wet. Perfect for when your passengers bring the lake with them.

OPTIONS

165



165 HO Impulse Shown

DETAILS

*It's the only 16 foot jet boat on the water and it shows.
With plenty of power, colors choices, and features, you have
everything you need to separate yourself from pack.
Easily stand out from the crowd in the compact, but potent, 165.*

| DETAILS |



Never leave your favorite equipment behind with easy access storage for all your gear.

Contoured 3-wide bucket seats with grab handles hold you snug. Hang on for the ride!

Swim platform mats are easy on the feet when you enter and exit with confidence.

| SPECIFICATIONS |

LOA 15'9" | 4.80 M
BEAM 7'1" | 2.16 M
FUEL CAPACITY 20 GAL | 75 L
DRAFT 12" | 30 CM
MAXIMUM CAPACITY 850 LBS | 385 KG

PERSONS CAPACITY 5 | 5 CE
APPROX. DRY WEIGHT 1600 LBS | 725 KG
TRAILER WEIGHT 617 LBS | 280 KG
DEADRISE 21°



APPEARANCE

165

| 165 G |



WHITE

| 165 HO PLATINUM |



JET BLACK / TAN INTERIOR

| 165 HO |



JET BLACK



DEEP NAVY



CRIMSON RED

| 165 HO IMPULSE |



CRIMSON RED



VIVID GREEN



PHANTOM GREY / ATOMIC



PHANTOM GREY / COGNAC

KEY FEATURES

| 165 G |

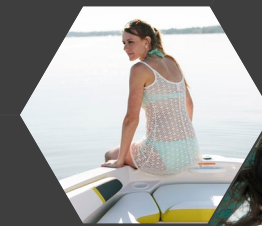
- 150 Rotax® engine
- Scarab custom trailer
- Cleats, SST
- Outlet-12V
- Ski tow
- Storage, in floor
- Windscreen
- Ladder, stern

| 165 HO / HO PLATINUM |

- 250 Rotax® engine
- Scarab custom trailer
- Cleats, pull-up, SST
- Stereo system
- Outlet-12V
- Ski tow
- Storage, in floor
- Windscreen
- Ladder, stern
- Savannah Sand interior (plat. Only)
- Cockpit Reed mat (plat. Only)

| 165 HO IMPULSE |

- 250 Rotax® engine
- Scarab custom trailer
- Cleats, pull-up, SST
- Stereo system
- Graphics, custom
- Swim platform mats
- Cruise control
- Outlet-12V
- Ski tow
- Storage, in floor
- Windscreen
- Ladder, stern



195



195 HO Impulse shown

The 195's prowess is only determined by memories made through a punch to the throttle. With a spacious interior, incisive handling, and a sleek design, the 195 is proof that breaking industry standards starts in the engineering lab. Get off the dock and carve your own path with the Scarab 195.

| DETAILS |



Plenty of bow storage ensures all your gear makes in on your next adventure.

With the feel of our contemporary dash and cockpit, you'll never find a dull moment when commanding the helm.

Versatile stern seating allows for adjustable seating in the boat and on the swim platform.

| SPECIFICATIONS |

LOA 18'10" | 5.74 M
BEAM 8'0" | 2.44 M
FUEL CAPACITY 31 GAL | 117 L
DRAFT 12" | 30 CM
MAXIMUM CAPACITY 1400 LBS | 635 KG

PERSONS CAPACITY 8 | 8 CE
APPROX. DRY WEIGHT 2460 LBS | 1120 KG
TRAILER WEIGHT 834 LBS | 378 KG
DEADRISE 20°

DETAILS



195

| 195 + 195 HO |



JET BLACK



DEEP NAVY



CRIMSON RED (HO ONLY)

| 195 HO PLATINUM |



JET BLACK / TAN INTERIOR

| 195 HO IMPULSE |



CRIMSON RED



VIVID GREEN



PHANTOM GREY / ATOMIC



PHANTOM GREY / COGNAC

| 195 |

- 200 Rotax® engine
- Scarab custom trailer
- Bimini top
- Bucket bolsters, flip-up
- Cockpit carpet
- Cooler, removable
- Ski tow
- Cleats, SST
- Stereo system
- iST, Intelligent Shift & Throttle

| 195 HO / HO PLATINUM |

- 250 Rotax® engine
- Scarab custom trailer
- Bimini top
- Bucket bolsters, flip-up
- Cockpit carpet
- Savannah Sand interior (plat. Only)
- Cockpit Reed mat (plat. Only)
- Cooler, removable
- Ski tow
- Cleats, pull-up
- Stereo system
- iST, Intelligent Shift & Throttle

| 195 HO IMPULSE |

- 250 Rotax® engine
- Scarab custom trailer
- Bimini top
- Bucket bolsters, flip-up
- Cockpit carpet
- Cooler, removable
- Graphics, custom
- Wakeboard tower
- Cruise control
- Ski tow
- Cleats, pull-up
- Stereo system
- iST, Intelligent Shift & Throttle



215



215 HO Impulse Shown

The Scarab 215—21 feet of gratifying exhilaration! With Twin Rotax® Jet engines operating deftly at your fingertips and loads of luxurious features, your adventures become limitless. The only question is what are you going to do with it?

| DETAILS |



Comfortable, contoured seating in the bow with enough room for friends. Kick back and enjoy the ride.

Easily extend your afternoons of fun into the evening with walk-thru doors that block the wind.

With a luxurious versa lounge aft of the cockpit, you'll quickly find your comfort zone.

| SPECIFICATIONS |

LOA 21'0" | 6.40 M
BEAM 8'4" | 2.54 M
FUEL CAPACITY 41 GAL | 155 L
DRAFT 15" | 38 CM
MAXIMUM CAPACITY 1800 LBS | 816 KG

PERSONS CAPACITY 10 | 9 CE
APPROX. DRY WEIGHT 3100 LBS | 1410 KG
TRAILER WEIGHT 1119 LBS | 508 KG
DEADRISE 21°

DETAILS



215

| 215 + 215 HO |



JET BLACK



DEEP NAVY



CRIMSON RED (HO ONLY)

| 215 HO PLATINUM |



JET BLACK / TAN INTERIOR

| 215 HO IMPULSE |



CRIMSON RED



VIVID GREEN



PHANTOM GREY / ATOMIC



PHANTOM GREY / COGNAC

| 215 |

- Twin 150 Rotax® engine
- Scarab custom trailer
- Bimini top
- Bucket bolsters, flip-up
- Cockpit carpet
- Cooler, removable
- Ski tow
- Cleats, SST
- Stereo system
- iST, Intelligent Shift & Throttle

| 215 HO / HO PLATINUM |

- Twin 200 or 250 Rotax® engine
- Scarab custom trailer
- Bimini top
- Bucket bolsters, flip-up
- Cockpit carpet
- Savannah Sand interior (plat. Only)
- Cockpit Reed mat (plat. Only)
- Cooler, removable
- Ski tow
- Cleats, pull-up
- Stereo system
- iST, Intelligent Shift & Throttle

| 215 HO IMPULSE |

- Twin 200 or 250 Rotax® engine
- Scarab custom trailer
- Bimini top
- Bucket bolsters, flip-up
- Cockpit carpet
- Cooler, removable
- Graphics, custom
- Wakeboard tower
- Cruise control
- Ski tow
- Cleats, pull-up
- Stereo system
- iST, Intelligent Shift & Throttle



255



255 Platinum SE shown

DETAILS

At 25 feet, the Scarab 255 is easily the largest jet boat on the market today. Wakeboarders, skiers and tubers will dig the vitality from the twin Rotax® engines, while your family will appreciate all the extra leg room. Experience the Scarab difference and push exhilaration to its limit in the spacious 255.

| DETAILS |



When equipped with an optional head, long days on the lake just got a little easier.

Our spacious U-shaped stern living areas are marked by premium upholstery, while our upgraded cockpit mat delivers an unmatched level of comfort.

Stylish swim platforms that are ultra-soft keep your feet happy, not to mention putting you right on the water for easy entry and exit.

| SPECIFICATIONS |

LOA 25'0" | 7.62 M
BEAM 8'4" | 2.54 M
FUEL CAPACITY 56 GAL | 212 L
DRAFT 15" | 38 CM
MAXIMUM CAPACITY 2100 LBS | 953 KG

PERSONS CAPACITY 13 | 11 CE
APPROX. DRY WEIGHT 3660 LBS | 1660 KG
TRAILER WEIGHT 1285 LBS | 583 KG
DEADRISE 20°



APPEARANCE

255

| 255 + 255 HO |



● JET BLACK



● DEEP NAVY



● CRIMSON RED (HO ONLY)

| 255 PLATINUM SE |



● JET BLACK / TAN INTERIOR

| 255 HO PLATINUM |



● JET BLACK / TAN INTERIOR

| 255 HO IMPULSE |



● CRIMSON RED



● VIVID GREEN



● PHANTOM GREY / ATOMIC



● PHANTOM GREY / COGNAC

KEY FEATURES

| 255 |

- Twin 150 Rotax® engine
- Scarab custom trailer
- Bimini top
- Bucket bolsters, flip-up
- Changing room
- Cockpit carpet
- Swim platform mat
- Ski tow
- Cockpit table, 3 mounts
- Stereo system
- Cruise control
- iST, Intelligent Shift & Throttle

| 255 PLATINUM SE |

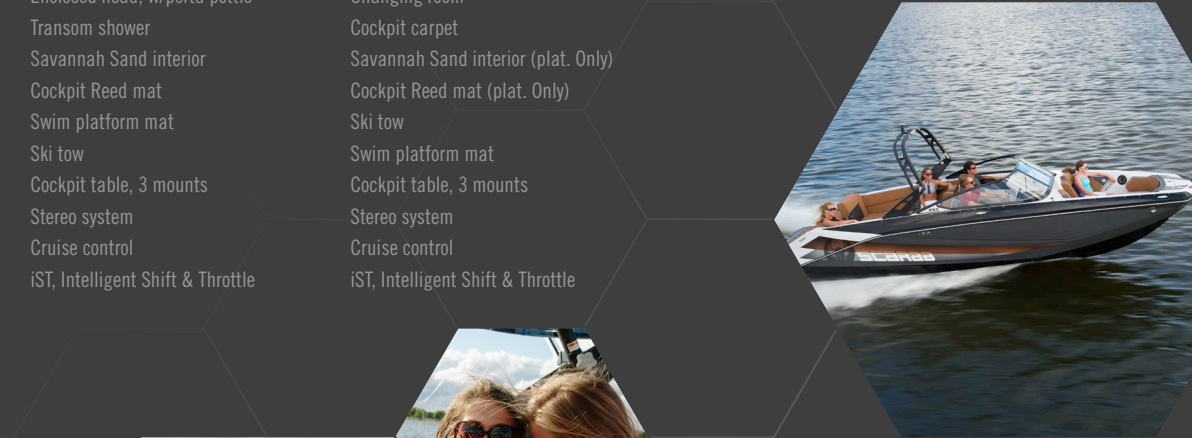
- Twin 150 Rotax® engine
- Scarab custom trailer
- Bimini top
- Bucket bolsters, flip-up
- Enclosed head, w/porta pottie
- Transom shower
- Savannah Sand interior
- Cockpit Reed mat
- Swim platform mat
- Ski tow
- Cockpit table, 3 mounts
- Stereo system
- Cruise control
- iST, Intelligent Shift & Throttle

| 255 HO / HO PLATINUM |

- Twin 200 or 250 Rotax® engine
- Scarab custom trailer
- Bimini top
- Bucket bolsters, flip-up
- Changing room
- Cockpit carpet
- Savannah Sand interior (plat. Only)
- Cockpit Reed mat (plat. Only)
- Ski tow
- Swim platform mat
- Cockpit table, 3 mounts
- Stereo system
- Cruise control
- iST, Intelligent Shift & Throttle

| 255 HO IMPULSE |

- Twin 200 or 250 Rotax® engine
- Scarab Custom Trailer
- Bimini top
- Bucket bolsters, flip-up
- Changing room
- Cockpit Carpet
- Graphics, custom
- Wakeboard tower
- Cruise control
- Swim platform mat
- Cockpit table, 3 mounts
- Stereo system
- iST, Intelligent Shift & Throttle





open

the possibilities...

OPEN SERIES



sport meets utility

Embark on a journey defined by opportunity, a journey comprising of endless possibilities. Whether you love wake sports, fishing, or simply cruising the water, the Scarab Open Series delivers a jet boating experience unlike ever before.



195
open



An opportunity for design, this new center console jet boat features an open layout, enclosed head, and a transom tailgate providing you with endless hours of fun with your family and friends. With the 195 Open, you will expand your imagination because anything is possible and the opportunities are limitless.

| DETAILS |



Relax and soak in the sun with the large, comfortable sunpad.

With a changing room, you have plenty of extra space for your stuff. Equip it with an optional porta pottie for all day comfort.

An innovative tailgate extends your fun by getting you closer to the water.

| SPECIFICATIONS |

LOA 18'10" | 5.74 M
BEAM 8'0" | 2.44 M
FUEL CAPACITY 31 GAL | 117 L
DRAFT 12" | 30 CM
MAXIMUM CAPACITY 1400 LBS | 635 KG

PERSONS CAPACITY 8 | 8CE
APPROX. DRY WEIGHT 2730 LBS | 1240 KG
TRAILER WEIGHT 834 LBS | 378 KG
DEADRISE 20°

DETAILS



195 open fish



Welcome the all-new 195 Open Fish—a do-it-all water craft with an anglers touch. Drop the tailgate and enjoy those comfortable casting seats. No need for catch and release with a baitwell on board. When they aren't biting, hit the throttle for spirited jet performance. This boat would be perfect if only it had a head; good thing it has one.

| DETAILS |



Strong, sturdy, and equipped with gas shocks—everything you need to know about the versatile tailgate.

Effortlessly cast from the bow and stern with the optional casting seats that provide some comfort on those long fishing trips.

Transform your bow into the chill zone with the optional bow fill-in cushions so you can kick back, relax, and enjoy the sun.

| SPECIFICATIONS |

LOA 18'10" | 5.74 M
BEAM 8'0" | 2.44 M
FUEL CAPACITY 31 GAL | 117 L
DRAFT 12" | 30 CM
MAXIMUM CAPACITY 1400 LBS | 635 KG

PERSONS CAPACITY 8 | 8 CE
APPROX. DRY WEIGHT 2730 LBS | 1240 KG
TRAILER WEIGHT 834 LBS | 378 KG
DEADRISE 20°

DETAILS



APPEARANCE

195 open



WHITE



CRIMSON RED



VIVID GREEN



PHANTOM GREY / COGNAC

195 open fish



JET BLACK



SURF BLUE



SEAFOAM GREEN

KEY FEATURES

| 195 OPEN |

- 200 or 250 Rotax® engine
- Scarab Custom Trailer
- Tailgate
- Cooler, built in
- Console seating
- Bench seat, helm
- Ski tow
- Console changing room
- Cleats, pull-up
- Stereo system
- iST, Intelligent Shift & Throttle

| 195 OPEN FISH |

- 200 or 250 Rotax® engine
- Scarab Custom Trailer
- Tailgate
- Console seating
- Bow fish box
- Casting platforms
- Baitwell, aft
- Rod storage
- Ski tow
- Console changing room
- Cleats, pull-up
- Stereo system
- iST, Intelligent Shift & Throttle





G R O U P E B E N E T E A U

scarabjetboats.com | facebook.com/scarabboats | 925 Frisbie Street, Cadillac, MI 49601 | 231.775.1351

Copyright 2016, Rec Boat Holdings, LLC. ©/TM signifies trademarks of Scarab, LLC, its affiliates or suppliers. Models are shown with non Scarab options and accessories. Some models are shown with optional equipment. While Scarab makes every effort to ensure that the information contained in this brochure is correct, unending product refinement and design changes may result in revisions to current models that may not be shown in this brochure. Scarab reserves the right to make changes in specifications, models, features and colors at any time. Representations made in this brochure do not constitute a warranty of any of the products shown. All limited warranties are outlined in the Scarab limited warranty that accompanies each boat. Please see your authorized Scarab dealer for additional information, available options and specific limited warranty details. Standards and options vary by model.